



**FIRENZO**  
WOODFIRES

*the heart of your home*

Please read this booklet and keep for future reference for the safe installation of your:

**LADY KITCHENER 800 *URBAN OR RU,***

**CONTESSA *URBAN OR RU,***

**BRONTE *RU***

**FREESTANDING WOODBURNER**

All installations must be in accordance with these instructions. Consult with the building authority having jurisdiction to obtain a permit prior to commencing the installation. Failure to follow these instructions may also void your fire insurance and warranty.



# INDEX

<u>Page No.:</u>	<u>Item No.:</u>	<u>Topic:</u>
2 .....	1	Warnings
3 .....	2	Installation Responsibilities
3 .....	3	Floor Protector Requirements
4 .....	4	Installation Clearances
5 .....		Fire Dimensions
6 .....	5	Assembly Instructions
7 .....		Diagram of Outside Air Kit
8/9 .....	5a	Assembly Instructions when installing Outside Air Kit
10 .....	6	Wet Back
11 .....	7	Flue Installation
12 .....		Minimum Height of Flue Exit
13 .....		Fitting Seismic Restraints

*Please leave this book with the owner when installation is complete.*

# 1. WARNINGS

THIS APPLIANCE SHOULD BE MAINTAINED AND OPERATED AT ALL TIMES IN ACCORDANCE WITH THESE INSTRUCTIONS.

This Firenzo fire has been tested to N.Z. Standards AS/NZS 2918:2001.

If this heater is incorrectly installed a house fire may result. For your safety follow the installation instructions carefully.

Do **NOT** connect the heater to a chimney serving another appliance.

Although the exterior of the heater may appear cool, contact with the unit may cause burns, warn children and others of the possibility of injury should they touch the heater.

Do **NOT** dry clothing or unseasoned wood directly in contact with the heater.

Keep all household combustible materials at least 600mm away from front of the heater. This includes clothing, furniture, wood, newspaper, plastic, matches, etc.

**DO NOT USE FLAMMABLE LIQUIDS OR AEROSOLS IN THE VICINITY OF THIS APPLIANCE WHEN IT IS OPERATING.**

Use caution when reloading with fuel. Do **NOT** attempt to load fuel into the heater when the fire inside the stove is at or near its peak.

Do **NOT** burn large quantities of paper or combustible material that would create an extremely hot/quick fire.

**USE ONLY DRY WOOD.** AVOID BURNING WET OR GREEN WOOD.

THE USE OF SOME TYPES OF PRESERVATIVE TREATED WOOD AS A FUEL CAN BE HAZARDOUS.

TIMBER TREATED WITH COPPER CHROMIUM AND ARSENIC TYPE PRESERVATIVES WILL LEAVE TOXIC RESIDUES IN THE ASH, FIREBOX OR WITHIN THE FLUE; TIMBER OFFCUTS FROM BUILDING CONSTRUCTION WILL OFTEN CONTAIN BORIC SALTS. THE COMBUSTION OF THIS MATERIAL OVER PROLONGED PERIODS CAN PRODUCE ADVERSE EFFECTS ON REFRACTORY LINING IN SOLID FUEL APPLIANCES. EMISSION OF POISONOUS GASES CAN ALSO BE EXPERIENCED WITH THE BURNING OF TREATED WOOD.

Driftwood with salt content will also cause rapid deterioration of the heater and should not be used.

## 2. INSTALLATION RESPONSIBILITIES

**WARNING:** THE APPLIANCE AND FLUE SYSTEM SHALL BE INSTALLED IN ACCORDANCE WITH AS/NZ 2918:2001 AND THE APPROPRIATE REQUIREMENTS OF THE RELEVANT BUILDING CODE OR CODES.

ANY MODIFICATION OF THE APPLIANCE THAT HAS NOT BEEN APPROVED IN WRITING BY THE TESTING AUTHORITY IS CONSIDERED TO BE IN BREACH OF THE APPROVAL GRANTED FOR COMPLIANCE WITH AS/NZS 4013.

**CAUTION:** MIXING OF APPLIANCE OR FLUE-SYSTEM COMPONENTS FROM DIFFERENT SOURCES OR MODIFYING THE DIMENSIONAL SPECIFICATION OF COMPONENTS MAY RESULT IN HAZARDOUS CONDITIONS. WHERE SUCH ACTION IS CONSIDERED, THE MANUFACTURER SHOULD BE CONSULTED IN THE FIRST INSTANCE.

Strict adherence to these instructions will meet these standards. Any variation from these installation instructions or any doubt about them must be checked against the requirements of the Standards.

**WARNING:**

Care must be taken to protect the **wetback** coil and associated pipe work if being installed in a hard/corrosive water area. Damage caused to the Wetback coil if fitted in a hard/corrosive water area will not be covered under the manufacturer's warranty.

*Please leave this manual with the owner when installation is complete.*

## 3. FLOOR PROTECTOR REQUIREMENTS

The heater should always be installed on top of its base due to high temperatures sustained over long periods. The base must be anchored to both the floor protector and the floor for seismic restraint. Anchor points are provided in the base or on the rear legs.

**DRAWER BASE AND PEDESTAL MODELS:**

If the heater is to be placed on or within 500mm of a heat sensitive floor, an **insulated floor protector** with a minimum thickness of **40mm** is required consisting of 20mm of an approved insulation material i.e. 2 sheets of 10mm micorboard or superlux, 10mm tile backing board and 10mm tiles or similar on the top surface. All joints on the upper surface should be sealed to prevent spilt ash from contacting any heat-sensitive material.

**LEG BASE MODELS:**

These models require an ash floor protector to AS/NZS 2918:2001 – i.e. a floor protector consisting of an upper surface, including grouting, of a durable, non-combustible material.

## **FLOOR PROTECTOR DIMENSIONS:**

*Refer to drawings under 4. Installation Clearances.*

The standard front clearance from the front of the door glass can be reduced by increasing the insulated floor protector height.

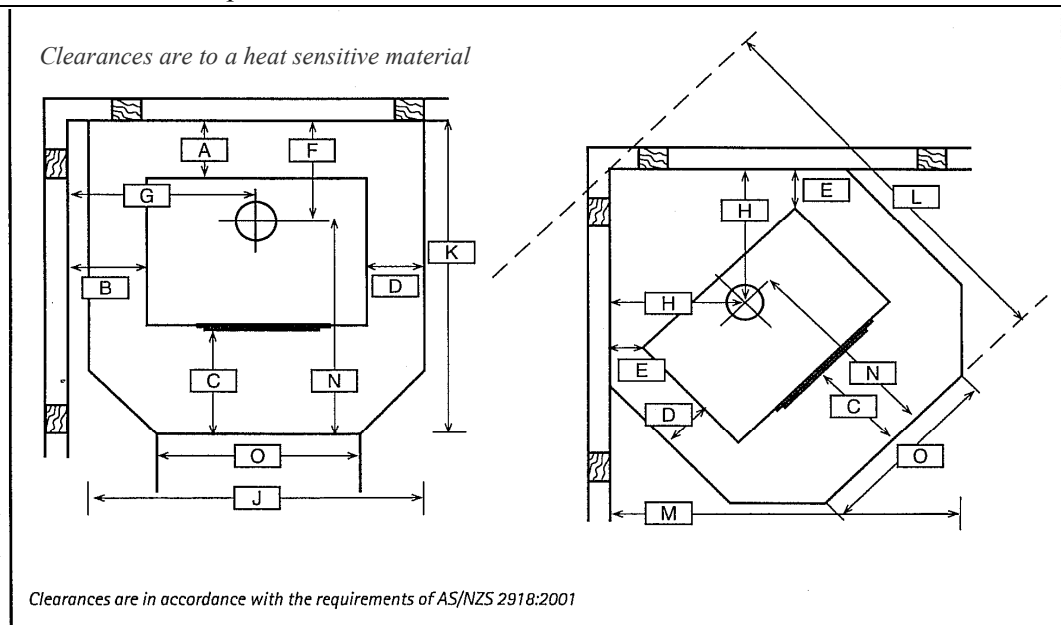
<b>FLOOR PROTECTOR HEIGHT</b>	<b>40mm</b>	<b>50mm</b>	<b>60mm</b>	<b>70mm</b>	<b>100mm</b>
CONTESSA URBAN FRONT CLEARANCE	420	405	390	375	320
CONTESSA RURAL “ “	420	405	390	375	320
BRONTE RURAL “ “	330	325	320	315	310
LADY KITCHENER RU & URBAN “	300	300	300	300	300

## **4. INSTALLATION CLEARANCES**

*All fires are to be installed with a flue pipe shield.*


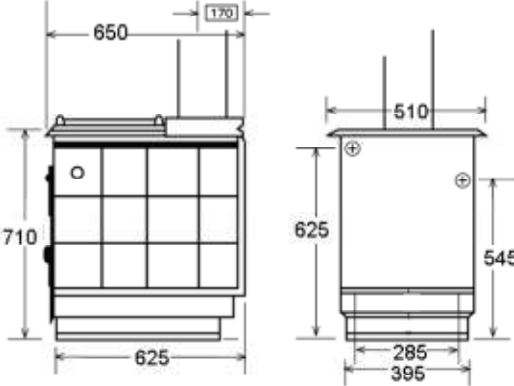
FREESTANDING FIRE	A	B	C	D	E	F	G	H	J	K	L	M	N	O
<b>BRONTE TOP OUTLET RU</b>														
PEDESTAL & DRAWER BASE	100	245	330	100	100	230	550	405	810	895	1240	1090	665	630
LEG BASE	100	245	300	100	100	230	550	405	810	865	1210	1070	635	630
<b>LADY KITCHENER RU</b>														
PEDESTAL & DRAWER BASE	100	240	300	100	95	270	495	395	710	1050	1365	1145	780	540
LEG BASE	100	240	300	100	95	270	495	395	710	1050	1365	1145	780	540
<b>LADY KITCHENER URBAN</b>														
PEDESTAL & DRAWER BASE	100	240	300	100	95	270	495	395	710	1050	1365	1145	780	540
LEG BASE	100	240	300	100	95	270	495	395	710	1050	1365	1145	780	540
<b>CONTESSA RU</b>														
PEDESTAL & DRAWER BASE	130*	280	420	110	100	260*	600	420	860	1055*	1380	1200	795	600
LEG BASE	130*	280	350	110	100	260*	600	420	860	985*	1310	1130	725	600
<b>CONTESSA URBAN</b>														
PEDESTAL & DRAWER BASE	130*	280	420	110	100	260*	600	420	860	1055*	1380	1200	795	600
LEG BASE	130*	280	350	110	100	260*	600	420	860	985*	1310	1130	725	600

*\*Contessa Clearance A, F, K can be reduced BY 30mm provided a Contessa cooktop grill is fitted onto the rear cast top of the fire*



When installing the Firenze fire on a **leg base ADD 70mm** to vertical measurements shown:


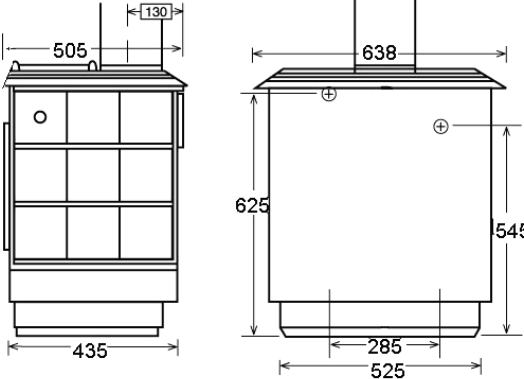
**LADY KITCHENER 800** - URBAN *conforms with NES standards*  
 - RU *for houses sited on 2 hectares or more*

Hot Water Output 3.5-5Kw  
 Hot Water Tapings 1" B.S.P  
 Flue Size 150mm  
 Firebox Size  
 Height 340mm  
 Width 320mm  
 Depth 500mm

3Kw Wetback Urban Only  
 3 or 5Kw Wetback RU Only


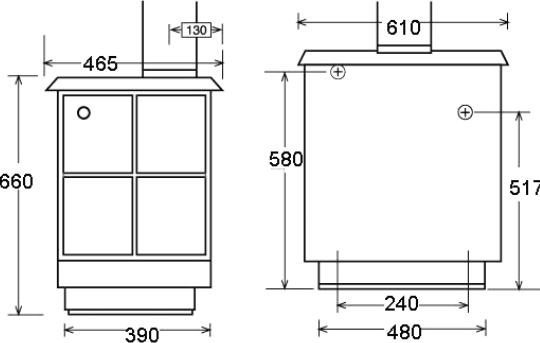
**CONTESSA** - URBAN *conforms with NES standards*  
 - RU *for houses sited on 2 hectares or more*

Wetback Contessa RU only

Hot Water Output 3.5-5 kw  
 Hot Water Tapings 1" B.S.P  
 Flue size 150mm  
 Firebox Size  
 Height 340mm  
 Width 460mm  
 Depth 320mm

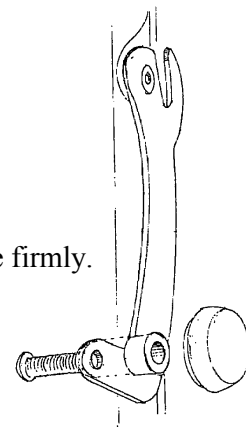
**BRONTE** - RU *for houses sited on 2 hectares or more*

Hot Water Output 3kw  
 Hot Water Tapings 1" B.S.P  
 Flue Size 150mm  
 Firebox Size  
 Height 320mm  
 Width 395mm  
 Depth 300mm

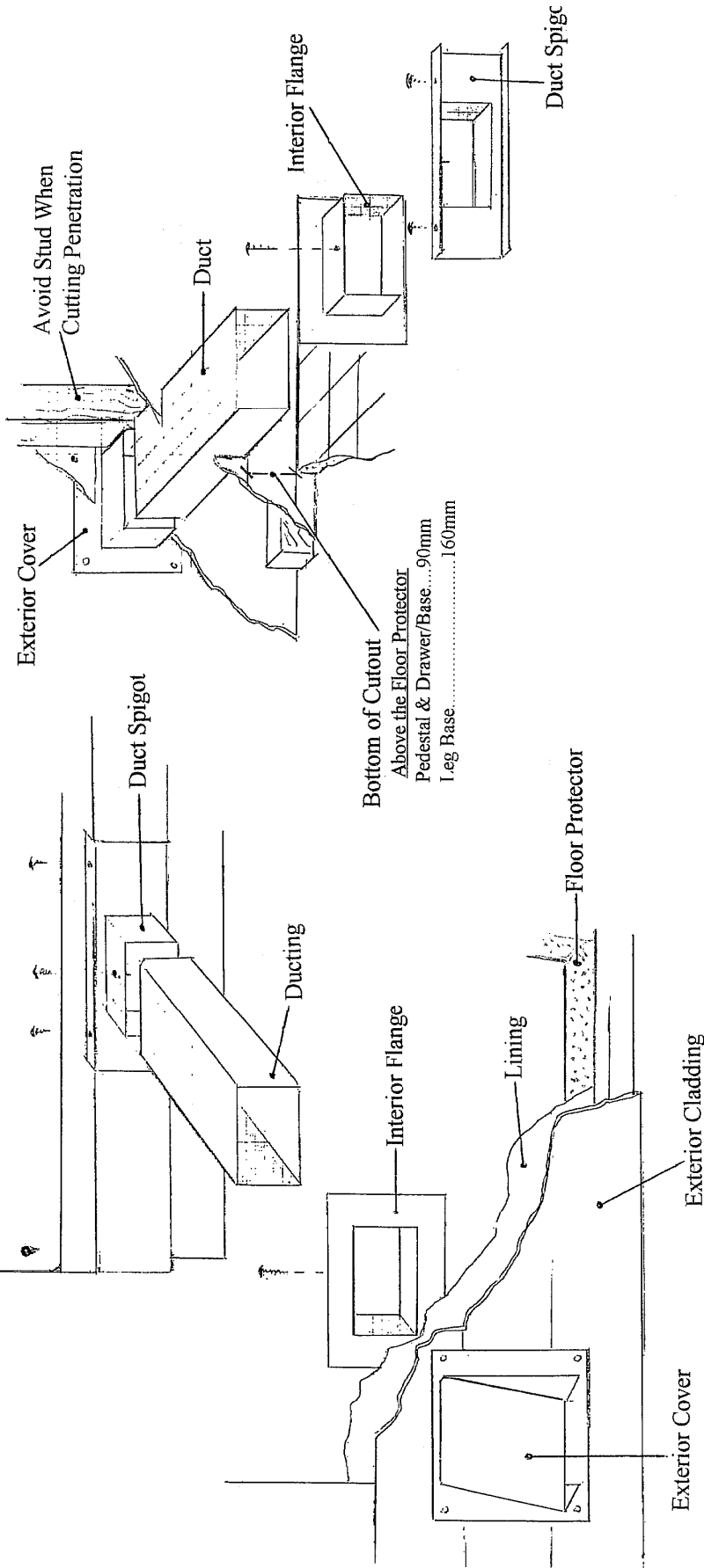
## 5. ASSEMBLY INSTRUCTIONS

1. Remove all packaging and timber.
2. Remove loose parts from inside the firebox.
3. Position the base with angle steel down onto the floor protector, taking the necessary final clearance into consideration. The base has the flue centre indicated on the flat steel bracket. These measurements coincide with the figures on page 4 for the heater clearances when assembled.
4. At this point a hole in the ceiling to accommodate the flue may be cut and the liners installed.
5. Remove both front and rear top castings.
6. Place firebox on base. Secure with brackets provided.
7. Fit the wetback, if allowable, in accordance with accepted plumbing practice - please refer to page 10. Ensure wetback is NOT pushed down; if it touches or comes in contact with the baffle bricks this will cause wear which will void your warranty.  
If NO wetback is to be fitted please ensure that blanking plugs are attached to the two holes in the rear of the upper chamber.
8. Replace the rear top casting and refit the front top casting ensuring it fits neatly into the sealed channel.
9. Refit the stainless steel flue shim in the top rear section of the firebox.
10. Assemble and fit flue and flue shield as per instructions (page 11).
11. Secure the wood-burner to the floor protector for seismic restraint (refer instructions on page 13). DUE TO NZ BEING AN EARTHQUAKE PRONE COUNTRY, IT IS IMPORTANT TO ANCHOR THE FIRENZO FIRE DOWN IN CASE OF EARTH MOVEMENT.
12. BRONTE FIRE ONLY: Fit the cook top grill on the rear casting of the BRONTE fire. Attach it to the heatshield on the rear of the fire with the bolts provided.
13. CONTESSA FIRE ONLY: If reducing clearance A from 130mm to 100mm as on page 5 then you will need to fit the cook top grill onto the rear casting of the CONTESSA fire. Attach it to the heatshield on the rear of the fire with the bolts provided.
13. Assemble and fit the decorative rails.
14. Fit handle as shown on diagram ►
15. Fit the control knob - place the flat on the knob to the flat on the air control shaft situated on the right handside of the fire. Press home firmly.





# OUTSIDE AIR KIT



## INTERIOR VIEW

## EXTERIOR VIEW

Manufactured by  
Hewitsons Limited  
Hawkes Bay, New Zealand



## **5a. ASSEMBLY INSTRUCTIONS**

### ***IF INSTALLING FIRE WITH AN OUTSIDE AIR KIT***

1. Establish position of heater before fixing.
2. Cut holes in both lining and exterior cladding of approx 100mm wide and 75mm high to accommodate duct (see drawings).
3. If a wall stud is located at centre of heater position, the wall penetration should be moved to one side. Allowance is made on the heater to move ducting laterally by placing offset duct spigot in appropriate position.
4. For standard pedestal base or drawer models, the bottom of the cut-out should be 90mm above floor protector. For models with legs the bottom of the cut-out should be 160mm.
5. Remove all packaging and timber.
6. Remove loose parts from inside the firebox.
7. Position the base with angle steel down onto the floor protector, taking the necessary final clearance into consideration. The base has the flue centre indicated on the flat steel bracket. The label next to this point states the minimum clearances from the base to combustible surfaces. These measurements coincide with the figures on page 4 for the heater clearances when assembled.
8. At this point a hole in the ceiling to accommodate the flue may be cut and the liners installed.
9. Remove both front and rear top castings.
10. Remove rear heat shield and fit duct spigot by drilling and securing to body ensuring that it lines up with the wall penetration.
11. Replace heat shield and secure the unit in place.
12. Place firebox on base. Secure with brackets provided.
13. Fit the wetback, if allowable, in accordance with accepted plumbing practice - please refer to page 10. If NO wetback is to be fitted please ensure that blanking plugs are attached to the two holes in the rear of the upper chamber.
14. From outside feed the duct through the wall, slip the interior flange over the duct and push into the duct spigot on heater. (mark and trim the duct if necessary, this should terminate approximately 5-10mm short of the external wall face).
15. Place the external cover over the duct and fix with the 4 screws provided.
16. Slide interior flange against lining and secure to duct.

17. Replace the rear top casting and refit the front top casting ensuring it fits neatly into the sealed channel.

18. Refit the stainless steel flue shim in the top rear section of the firebox.

19. Assemble and fit flue and flue shield as per instructions (page 11 & 12).

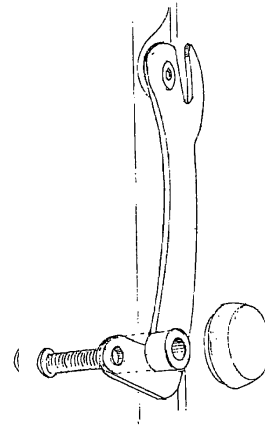
20. Secure the wood-burner to the floor protector for seismic restraint (refer instructions on page 13). DUE TO NZ BEING AN EARTHQUAKE PRONE COUNTRY, IT IS IMPORTANT TO ANCHOR THE WOODBURNER DOWN IN CASE OF EARTH MOVEMENT.

12. Fit the cook top grill on the rear casting of the Contessa fire and Bronte fire. Attach it to the heat shield on the rear of the fire with the bolts provided.

21. Assemble and fit the decorative rails.

22. Fit door handle as shown - -

22. Fit the control knob - place the flat on the knob to the flat on the air control shaft situated on the right hand side of the fire.  
Press home firmly.



## 6. WETBACK

The following Firenze fires can be fitted with a wetback to supplement the hot water system:

**Lady Kitchener 800 URBAN or RU**

**Contessa RU**

**Bronte RU**

**WARNING:**

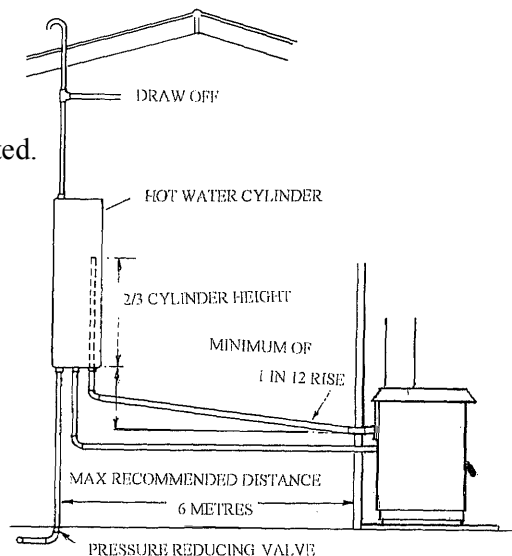
DO NOT CONNECT TO AN UNVENTED HOT WATER SYSTEM.

**DO NOT USE THIS FIRE WITHOUT WATER RUNNING THROUGH THE WETBACK.**

INSTALL IN ACCORDANCE WITH AS 3500.4.1 OR NZS 4603 AND THE APPROPRIATE REQUIREMENTS OF THE RELEVANT BUILDING CODE OR CODES.

For best performance apply the following rules:

1. Keep it simple with the shortest and straightest possible pipe run.
2. The heater should be within 6 metres of the hot water cylinder, the closer the better.
3. The flow pipe from the heater to the cylinder must rise – the cylinder should be at least 300 mm above the water-booster outlet.
4. Use only 25mm supply and return pipes.
5. Where possible the pipes should be insulated.

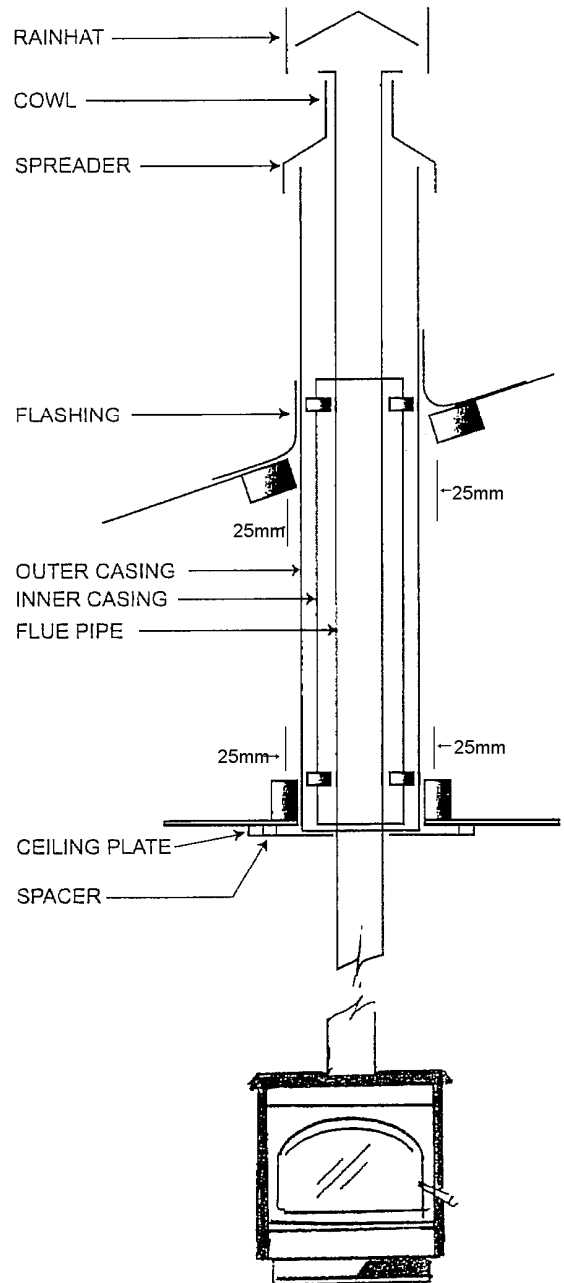


**WARNING:**

Care must be taken to protect the wetback coil and associated pipe work if being installed in a hard/corrosive water area. Damage caused to the Wetback coil if fitted in a hard/corrosive water area will not be covered under the manufacturer's warranty.

## 7. FREESTANDING FLUE SYSTEM INSTALLATION INSTRUCTIONS

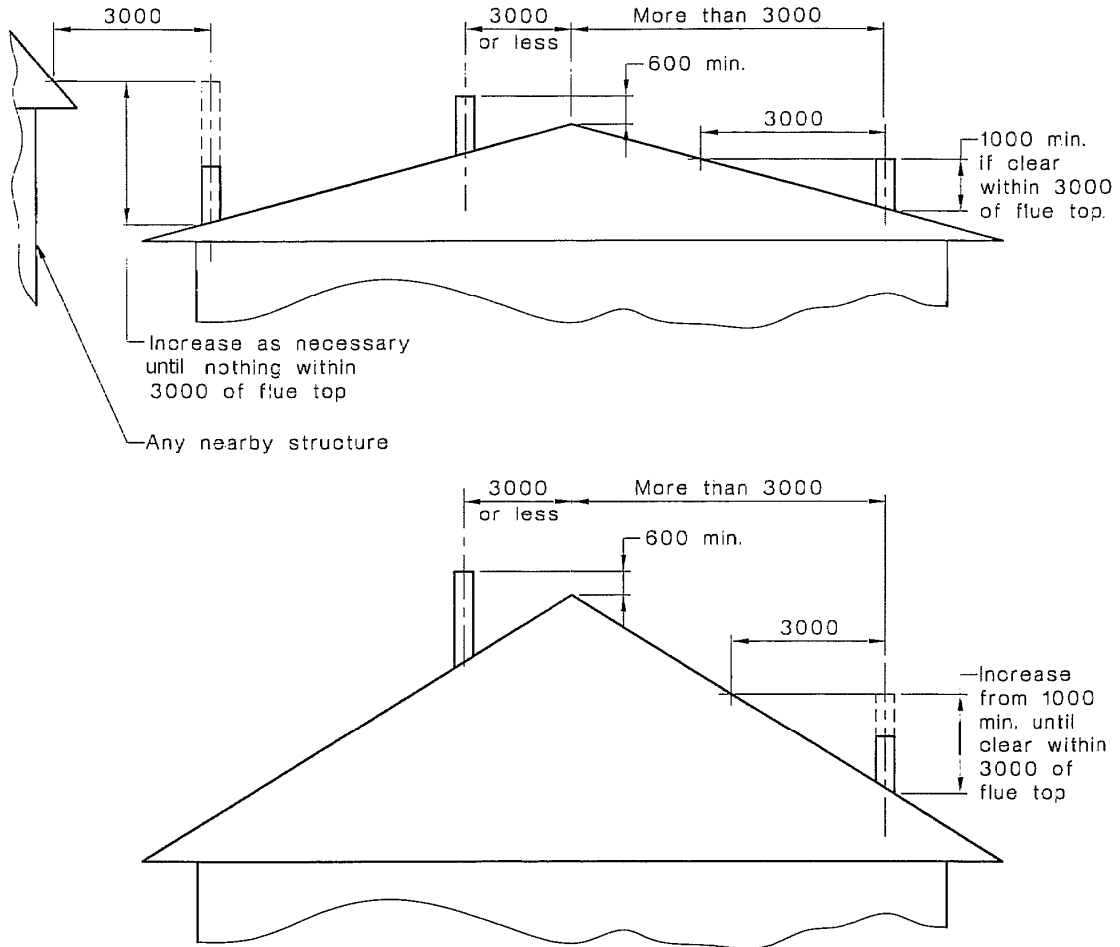
1. Position heater on floor protector ensuring all heater clearances are correct as per clearances on page 4.
2. Once the location is confirmed, the appliance and floor protector shall be fixed to the floor itself (refer to page 6 & 7).
3. Extend a plumb line from the centre of the fire flue pipe spigot to the ceiling. Mark position on ceiling and roof.
4. Trim hole and nog as required ensuring that a 25mm safe clearance between combustible materials and flue components is maintained. Fix with non combustible spacers and screws or clouts on all four sides.
5. Cut and frame (when required) an opening in the roof, position the outer casing through the roof until it is flush with the under side of the ceiling, making sure as with the ceiling there is a 25mm safe clearance between non-combustible materials and the flue components. Fix as in step 4.
6. Fix appropriate flashing around outer casing to the roof to ensure a weatherproof seal.
7. Assemble flue pipe sections ensuring all seams are in line, the assembly is straight and crimped. Ends are pointing downwards. Fix each joint with three stainless rivets or self-tapping screws.
8. Place ceiling plate with folded edges upwards over heater spigot.
9. Position the flue pipe into the heater spigot. The flue pipe can either lowered from the top as a single unit or fed up from the room a length at a time, ensuring that all joints are fixed properly.
10. Slide the inner casing into place, between the outer casing and the flue pipe.
11. The flue pipe must extend 200mm above the outer casing.  
Note: Extra lengths of flue pipe, inner and outer casing may be required to achieve the minimum clearance from the roof.
12. Slide top spreader over flue pipe down into outer and inner casing and tighten.
13. Slide cowl over flue pipe until it rests on spreader. Secure with rivets or self-tapping screws.
14. Fit rainhat. Do not fasten as it must be removable for flue pipe cleaning.
15. Fix ceiling plate to ceiling maintaining an even gap all around the flue pipe.  
Note: Ensure ceiling plate is spaced off from the ceiling with ceramic spacers supplied.
16. Fit the flue shield.



**CAUTION:** Mixing of appliance or flue system components from different sources or modifying the dimensional specifications of components may result in hazardous conditions. Where such action is considered the manufacturer should be consulted in the first instance.

**WARNING:** The appliance and flue system shall be installed in accordance with AS/NZS 2918:2001 and the appropriate requirements of the relevant building code or codes.

## MINIMUM HEIGHT OF FLUE SYSTEM OUTLET



DIMENSIONS IN MILLIMETRES

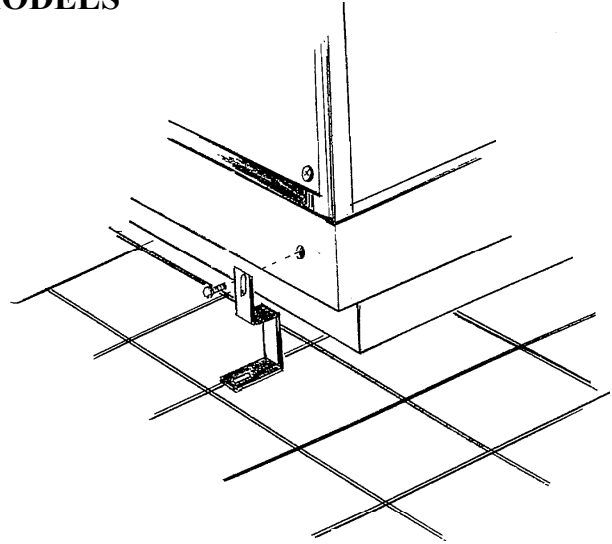
### NOTES:

1. The flue pipe shall extend not less than 4.6m above the top of the floor protector.
2. The flue cowl must be at least 600mm above the highest point of the roof if within 3 metres of it, or 1 metre above the roof penetration if more than 3 metres from the ridge.
3. No part of the building, or any adjacent building may be in or above a circular area of a horizontal radius of 3 metres from the flue exit.

## FITTING SEISMIC RESTRAINT BRACKETS

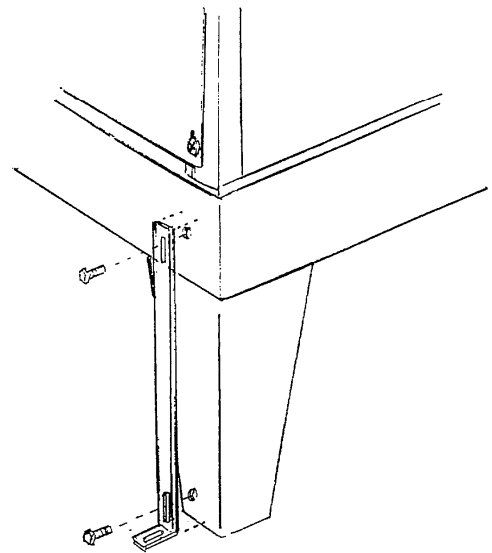
### PEDESTAL OR DRAWER BASE MODELS

1. Remove bolts at rear of fire box
2. Fit Seismic Restraint brackets
3. Secure both the floor protector and the appliance to the floor by using a dyna bolt or similar.



### LEG MODELS

1. Place firebox on leg assembly and fit brackets.
2. Locate as per appropriate clearances
3. Secure both the floor protector and the appliance to the floor using a dyna bolt or similar.



# **FIRENZO**

**WOODFIRES**

BY

**Hewitsons Limited**

*Manufacturers of:*

Lady Kitchener

Contessa

Bronte

Royale

Zealandia

Coaster

Viking

Athena

Forte

Deco

Plaza

Aqualux

**68 Austin Street**

**Onekawa**

**PO Box 3231**

**HB Mail Centre**

**Napier 4142**

**Phone: 06 8438260**

**Fax: 06 8430505**

**Email: [hothouse@firenzo.co.nz](mailto:hothouse@firenzo.co.nz)**

**Web: [www.firenzo.co.nz](http://www.firenzo.co.nz)**